



COMPONENTS 2005

(PTY) LTD

t/a ENGINE & HEAVY DUTY COMPONENTS

HEAD OFFICE JOHANNESBURG

Tel: +27 (0)11 870 5000
Fax to Mail: 086 676 6628
Cnr Hubert & Marshall Streets,
Marshalltown, Johannesburg 2001
PO Box 6541 Johannesburg, 2000,
South Africa
ehd@ehd.co.za

BLOEMFONTEIN

Tel: +27 (0)51 430 5404
17 Krause Street, Oranjesig
PO Box 12471,
Brandhof, 9324
South Africa
ehdbloem@ehd.co.za

CAPE TOWN

Tel: +27 (0)21 510 0567
25 Bellray Business Park
Ampere Street, Stikland Industrial
Cape Town, 7530
PO Box 1037, Milnerton, 7435
South Africa
ehdcapestown@ehd.co.za

DURBAN

Tel: +27 (0)31 700 1160
Unit 3, Hillmax
31 Hillclimb Rd, Westmead 3610
PO Box 1054 Nagina 3604,
South Africa
ehd.dbn@ehd.co.za

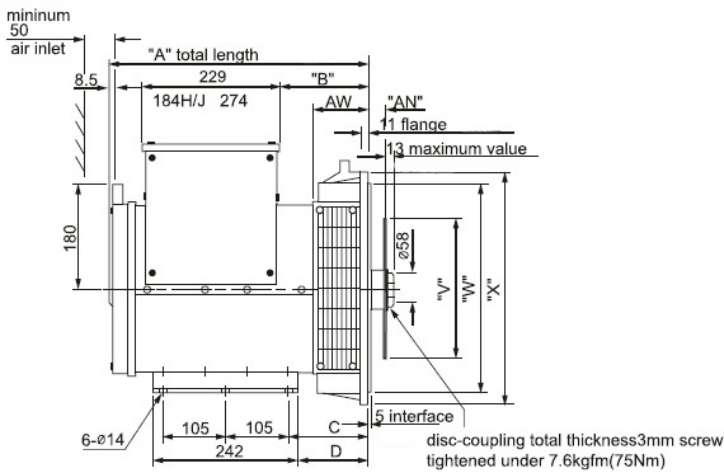
SLG184 ALTERNATOR



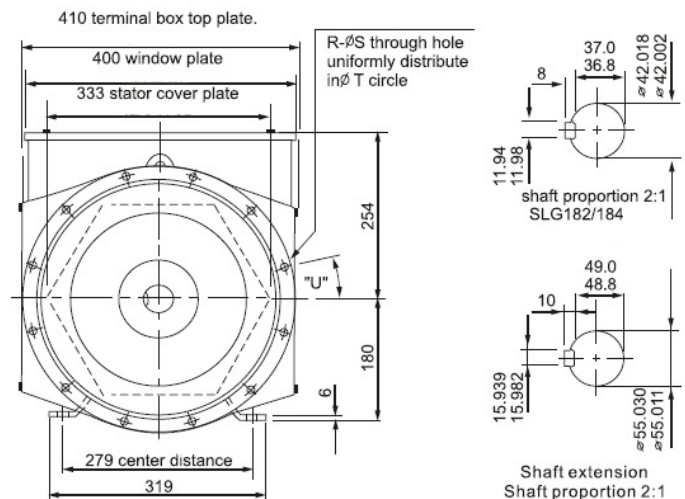
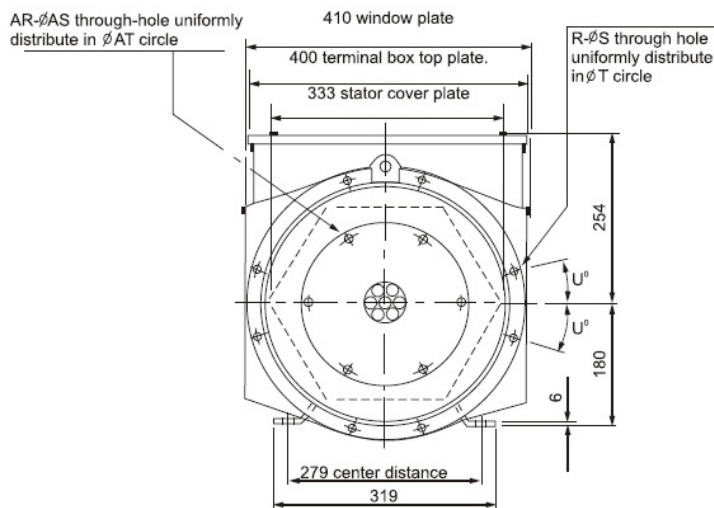
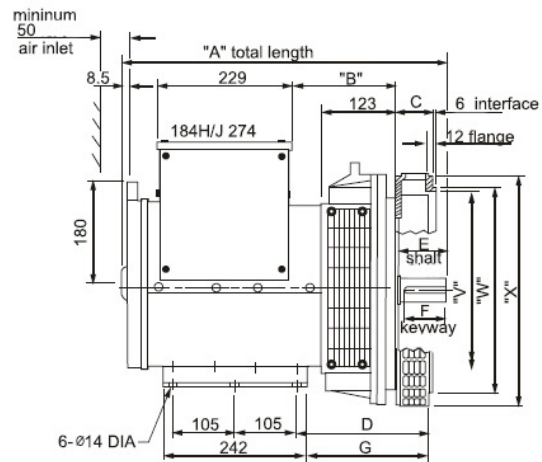
SLG184 External dimension



SINGLE BEARING



DOUBLE BEARING



SPECIFICATIONS

SLG184 ALTERNATORS																			
RATINGS		Winding 311 / 0.8 Power Factor														Winding 05			
DUTY/TEMP/AMBIENT T°		Cont./125K/40°C								Cont./125K/40°C						Cont.125K/40°C			
PHASE		3 PHASE								1 PHASE						1 PHASE			
SERIES STAR		380		400		415		440								POWER FACTOR			
PARALLEL STAR		190		200		208		220								0.8		1	
SERIES DELTA		220		230		240		254											
DOUBLE DELTA										220		230		240		220,230,240			
		KVA	KW	KVA	KW	KVA	KW	KVA	KW	KVA	KW	KVA	KW	KVA	KW	KVA	KW	KVA	KW
SLG184E		22.5	18	22.5	18	22.5	18	17.5	14	13	10.4	13	10.4	13	10.4	15	12	16.6	16.6
SLG184F		27.5	22	27.5	22	27.5	22	22.5	18	16	12.8	16	12.8	16	12.8	18.5	14.8	20	20
SLG184G		31.3	25	31.3	25	31.3	25	27.5	22	18.1	14.5	18.1	14.5	18.1	14.5	21	16.8	22.8	22.8
SLG184H		37.5	30.0	37.5	30	37.5	30	32.5	26	21.7	17.4	21.7	17.4	21.7	17.4	25	20	27	27
SLG184J		40	32	40	32	40	32	35	28	23.2	18.6	24.7	19.8	23.2	18.6	28	22.4	30	30

Dimension(mm) Single Bearing											
Model	A				B				N.W (kg)	G.W (kg)	LxWxH (mm)
	SAE2	SAE3	SAE4	SAE5	SAE2	SAE3	SAE4	SAE5			
SLG184E	471.0	443.5	431.5	443.5	186	159.0	147	159	120	133	565x485x620
SLG184F	561	533.5	521.5	553.5	276	249	237	269	150	156	675x510x620
SLG184G	561	533.5	521.5	553.5	276	249	237	269	156	172	675x510x620
SLG184H	620.5	593.5	581.5	613.5	291	264	252	284	216	226	740x510x620
SLG184J	620.5	593.5	581.5	613.5	291	264	252	284	226	236	740x510x620

Dimension (mm) Double Bearing										
Model	A	B	C	D	E	F	G	N.W (kg)	G.W (kg)	LxWxH (mm)
SLG184E	551.5	177	65	228	82	77	212	131	141	675x510x620
SLG184F	641.5	267	65	228	82	77	212	154	164	740x510x620
SLG184G	641.5	267	65	228	82	77	212	170	180	740x510x620
SLG184H	734.5	282	105	268	110	100	252	220	230	820x510x620
SLG184J	734.5	282	105	268	110	100	252	230	240	820x510x620

Flange (mm) Single Bearing									
S.A.E.NO.	AW	R	S	T	U°	W	X	C	D
2	132.3	12	11	466.7	15	447.6	489	172.0	156.0
3	105	8	11	428.6	15	409.5	451	145	129
4	93	8	11	381	15	361.9	402	133	117
5	125.0	8	11	333.3	22.5	314.3	356	165	149
6*	136.7	8	11	285.8	22.5	266.7	308	176.7	160.7

Flange (mm) Double Bearing							
S.A.E.NO	R	S	T	U°	V	W	X
1	12	12.7	530.2	15	500	511.17	553
2	12	11	466.7	15	432	447.6	495
3	12	11	428.6	15	396	409.5	451
4	12	11	381	15	352	361.9	403
5	8	11	333.3	22.5	301	314.3	356

Disc Coupling (mm)					
S.A.E.NO.	AN	AR	AS	AT	V
6.5	30.16	6	8.7	200.0	215.8
7.5	30.16	8	8.7	222.2	241.2
8	61.98	6	11	244.5	263.4
10	53.98	8	11	295.3	314.2
11.5	39.68	8	11	333.4	352.3
14	25.4	8	13.5	438.2	466.5

Proud Member of:

