



# COMPONENTS 2005

## (PTY) LTD

### t/a ENGINE & HEAVY DUTY COMPONENTS

#### HEAD OFFICE JOHANNESBURG

Tel: +27 (0)11 870 5000  
Fax to Mail: 086 676 6628  
Cnr Hubert & Marshall Streets,  
Marshalltown, Johannesburg 2001  
PO Box 6541 Johannesburg, 2000,  
South Africa  
ehd@ehd.co.za

#### BLOEMFONTEIN

Tel: +27 (0)51 430 5404  
17 Krause Street, Oranjesig  
PO Box 12471,  
Brandhof, 9324  
South Africa  
ehdbloem@ehd.co.za

#### CAPE TOWN

Tel: +27 (0)21 510 0567  
25 Bellray Business Park  
Ampere Street, Stikland Industrial  
Cape Town, 7530  
PO Box 1037, Milnerton, 7435  
South Africa  
ehdcape@ehd.co.za

#### DURBAN

Tel: +27 (0)31 700 1160  
Unit 3, Hillmax  
31 Hillclimb Rd, Westmead 3610  
PO Box 1054 Nagina 3604,  
South Africa  
ehd.dbn@ehd.co.za

# SLG224 ALTERNATOR

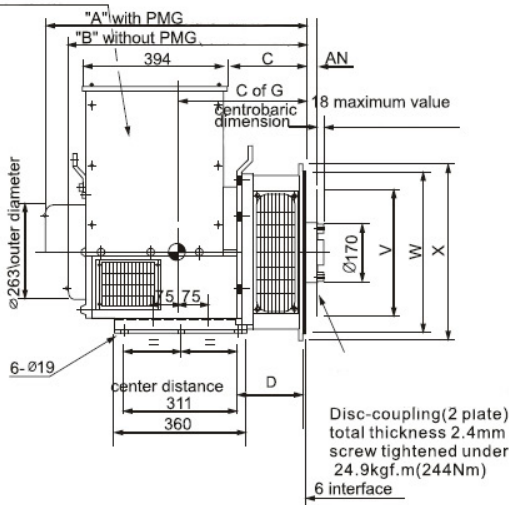


## SLG224 External dimension



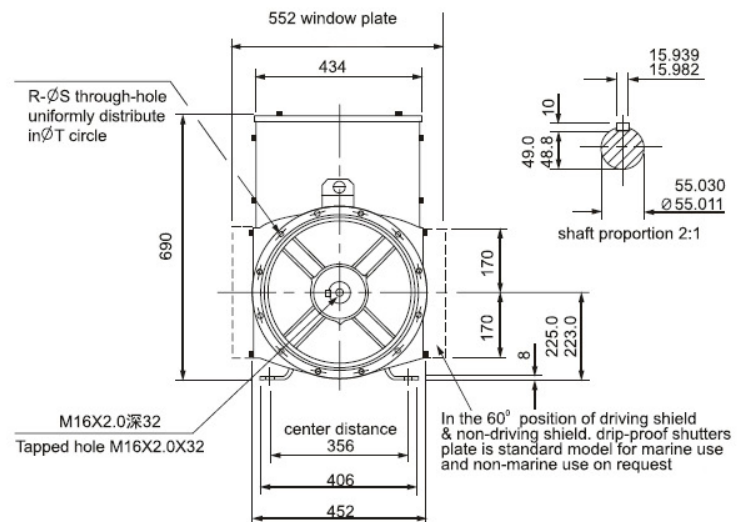
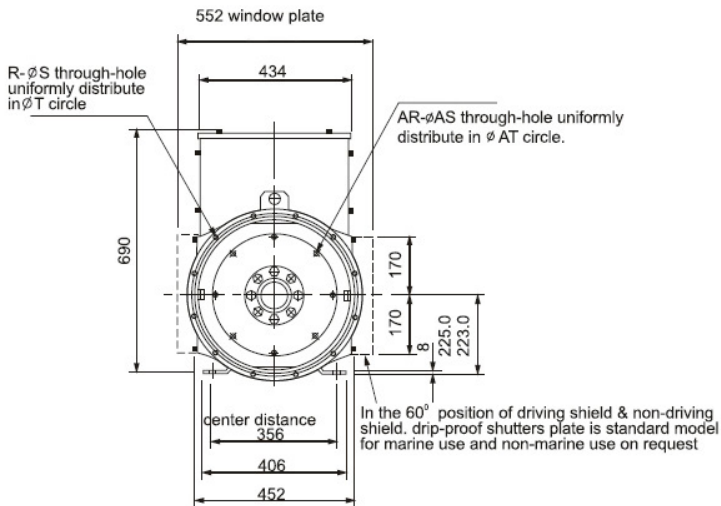
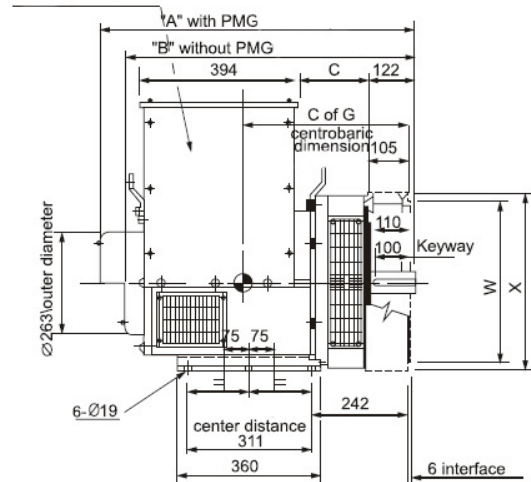
### SINGLE BEARING

separable side plate



### DOUBLE BEARING

separable side plate



# SPECIFICATIONS

SLG224 ALTERNATORS																		
RATINGS	Winding 311 / 0.8 Power Factor														Winding 05			
DUTY/TEMP/AMBIENT T°	Cont./125K/40°C								Cont./125K/40°C						Cont.125K/40°C			
PHASE	3 PHASE								1 PHASE						1 PHASE			
SERIES STAR	380				400				415					440				
PARALLEL STAR	190				200				208					220			0.8	1
SERIES DELTA	220				230				240					254				
DOUBLE DELTA																	220,230,240	
		KVA	KW		KVA	KW		KVA	KW		KVA	KW		KVA	KW		KVA	KW
SLG224C	42.5	34.0	42.5	34.0	42.5	34.0	30.0	24.0	28.5	22.8	28.5	22.8	28.5	22.8	28.0	22.4	28.0	208.0
SLG224D	50.0	40.0	50.0	40.0	50.0	40.0	37.5	30.0	33.5	26.8	33.5	26.8	33.5	26.8	35.0	28.0	35.0	35.0
SLG224E	60.0	48.0	0.0	48.0	60.0	48.0	45.0	36.0	40.0	32.0	40.0	32.0	40.0	32.0	40.0	32.0	40.0	40.0
SLG224F	72.5	58.0	72.5	58.0	72.5	58.0	55.0	44.0	48.5	38.8	48.5	38.8	48.5	38.8	50.0	40.0	50.0	50.0
SLG224G	85.0	68.0	85.0	68.0	85.0	68.0	75.0	60.0	56.5	45.2	56.5	45.2	56.5	45.2	60.0	48.0	60.0	60.0

Dimension (mm) Single Bearing											
SAE2.4	Model	A		B		C		C of G		LxWxH(mm)	
	SLG224C	734.0		671.0		233.5		323.0		820x540x870	
	SLG224D	734.0		671.0		233.5		333.0		820x540x870	
	SLG224E	824.0		761.0		323.5		348.0		890x540x870	
	SLG224F	824.0		761.0		323.5		358.0		890x540x870	
	SLG224G	869.0		806.0		368.5		373.0		930x540x875	
SAE3	SLG224C	710		647		210		311		820x540x870	
	SLG224D	710		647		210		321		820x540x870	
	SLG224E	800		737		300		336		890x540x870	
	SLG224F	800		737		300		346		890x540x870	
	SLG224G	845		782		345		361		930x540x875	

Dimension (mm) Double Bearing							
Model	A	B	C	C of G	N.W(kg)	G.W(kg)	LxWxH(mm)
SLG224C	792	729	170	368	250	275	820x540x870
SLG224D	792	729	170	378	270	295	820x540x870
SLG224E	882	819	260	393	290	315	930x540x875
SLG224F	882	819	260	403	320	345	930x540x875
SLG224G	927	864	305	418	360	385	930x540x875

Flange (mm) Single Bearing						
S.A.E.NO	D	R	S	T	W	X
2	200.5	12.0	11.0	466.7	447.6	490.0
3	177.0	12.0	11.0	428.6	409.5	451.0
4	200.5	12.0	11.0	381.0	361.9	451.0

Flange (mm) Double Bearing					
S.A.E.NO	R	S	T	W	X
2	12.0	11.0	466.7	447.6	495.0
3	12.0	11.0	428.6	409.5	451.0
4	12.0	11.0	381.0	361.9	403.0
5	8.0	11.0	333.3	314.3	356.0

Disc Coupling					
S.A.E.NO	AN	AR	AS	AT	V
8	61.9	6.0	11.0	244.4	263.4
10	54.0	8.0	11.0	295.3	314.2
11.5	39.7	8.0	11.0	333.3	352.3
14	25.4	8.0	13.5	438.2	466.6

**Proud Member of:**

