



**COMPONENTS 2005**

(PTY) LTD

t/a ENGINE & HEAVY DUTY COMPONENTS

**HEAD OFFICE JOHANNESBURG**

Tel: +27 (0)11 870 5000  
 Fax to Mail: 086 676 6628  
 Cnr Hubert & Marshall Streets,  
 Marshalltown, Johannesburg 2001  
 PO Box 6541 Johannesburg, 2000,  
 South Africa  
 ehd@ehd.co.za

**BLOEMFONTEIN**

Tel: +27 (0)51 430 5404  
 17 Krause Street, Oranjesig  
 PO Box 12471,  
 Brandhof, 9324  
 South Africa  
 ehdbloem@ehd.co.za

**CAPE TOWN**

Tel: +27 (0)21 510 0567  
 25 Bellray Business Park  
 Ampere Street, Stikland Industrial  
 Cape Town, 7530  
 PO Box 1037, Milnerton, 7435  
 South Africa  
 ehdcapetown@ehd.co.za

**DURBAN**

Tel: +27 (0)31 700 1160  
 Unit 3, Hillmax  
 31 Hillclimb Rd, Westmead 3610  
 PO Box 1054 Nagina 3604,  
 South Africa  
 ehd.dbn@ehd.co.za

# SLG354 ALTERNATOR

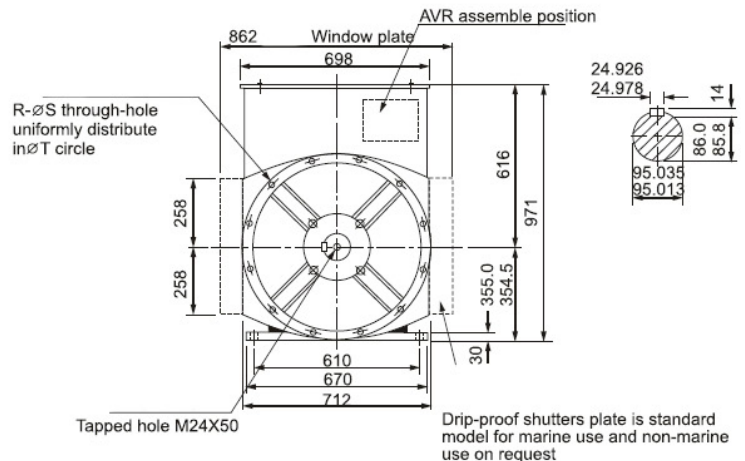
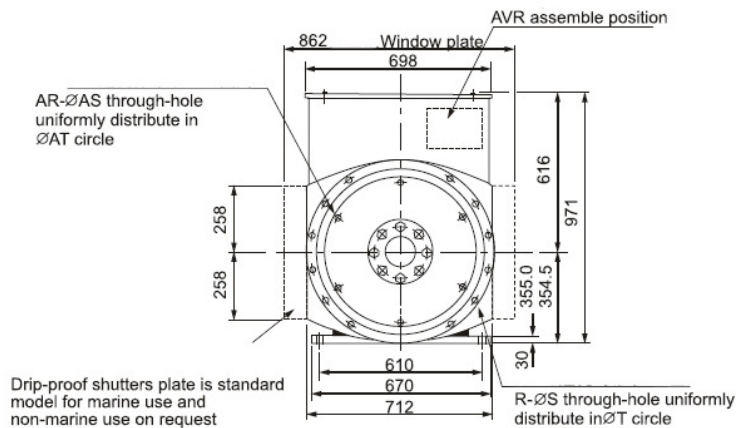
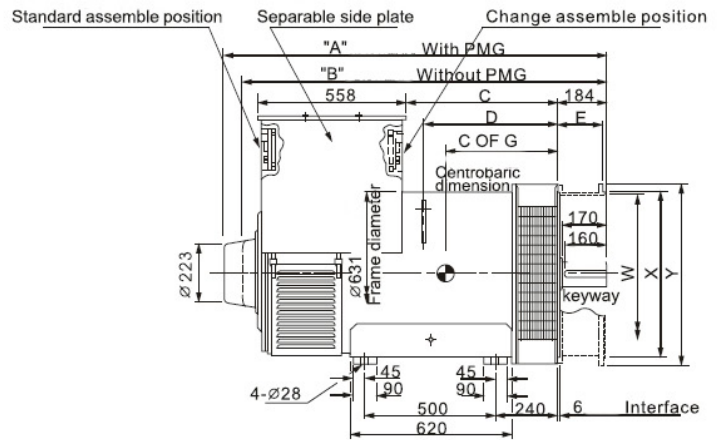
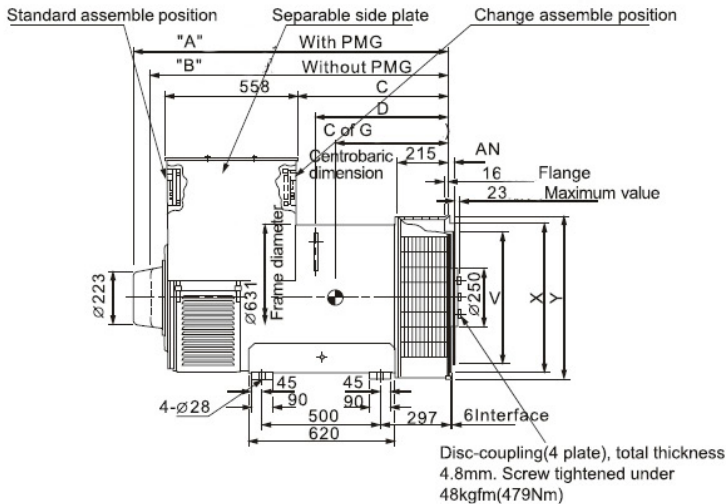


**SLG354 External dimension**



**SINGLE BEARING**

**DOUBLE BEARING**



# SPECIFICATIONS

SLG354 Alternators																
RATINGS	Winding 311 / 0.8 Power Factor															
Duty/Temp Rise/Ambient T°	Cont./125K/40°C								Standby-150/40°C							
Phase	3 Phase															
Series Star	380		400		415		440		380		400		415		440	
Parallel Star	190		200		208		220		190		200		208		220	
Series Delta	220		230		240		254		220		230		240		254	
Double Delta																
	KVA	KW	KVA	KW	KVA	KW	KVA	KW	KVA	KW	KVA	KW	KVA	KW	KVA	KW
SLG354C	450.0	360.0	450.0	360.0	450.0	360.0	450.0	360.0	478.0	382.0	478.0	382.0	478.0	382.0	478.0	382.0
SLG354D	500.0	400.0	500.0	400.0	500.0	400.0	500.0	400.0	515.0	412.0	515.0	412.0	515.0	412.0	515.0	412.0
SLG354E	600.0	480.0	600.0	480.0	600.0	480.0	600.0	480.0	636.0	509.0	636.0	509.0	636.0	509.0	636.0	509.0
SLG354FS	625.0	500.0	625.0	500.0	625.0	500.0	625.0	500.0	661.3	529.0	661.3	529.0	661.3	529.0	661.3	529.0
SLG354F	670.0	536.0	670.0	536.0	670.0	536.0	650.0	520.0	710.0	568.0	710.0	568.0	710.0	568.0	690.0	552.0

Dimension (mm) Single Bearing								
Model	A	B	C	D	C of G	N.W (kg)	G.W (kg)	LxWxH (mm)
SLG354C	1337	1266	642	568	555	1265	1350	1430x830x1230
SLG354D	1337	1266	642	568	575	1230	1450	1430x830x1230
SLG354E	1337	1266	642	568	595	1500	1598	1430x830x1230
SLG354FS	1412	1341	717	643	620	1580	1678	1500x830x1230
SLG354F	1412	1341	717	643	620	1680	1753	1500x830x1230

Dimension (mm) Double Bearing								
Model	A	B	C	D	C of G	N.W (kg)	G.W (kg)	LxWxH (mm)
SLG354C	1464	1393	585	511	498	1275	1375	1500x830x1230
SLG354D	1464	139	585	511	518	1330	1430	1500x830x1230
SLG354E	1464	1393	585	511	538	1530	1630	1500x830x1230
SLG354FS	1539	1468	660	586	565	1740	1840	1580x830x1230
SLG354F	1539	1468	660	586	565	1690.0	1790	1580x830x1230

Flange (mm) Single Bearing					
S.A.E.NO	R	S	T	X	Y
0	12.0	14.0	850.9	787.3	882
0	12	14	679.5	647.6	711
1.0/2.0	12.0	14.0	619.1	584.1	700.0
1	12.0	12.7	530.2	511.1	700.0

Flange (mm) Double Bearing						
S.A.E.NO	R	S	T	W	Y	E
0	16	14	850.9	772	882	170
0	16	14	679.5	634	711	170
1.0/2.0	12	14	619.1	569.0	648.0	150.0
1	12	12.7	530.2	496.0	553	170.0

Disc Coupling (mm)					
S.A.E.NO	AN	AR	AS	AT	V
14	25.4	8	13.5	438.2	466.6
18	15.87	6	16.7	543	571.4
21	0	12	16.7	641.3	673

**Proud Member of:**

