



COMPONENTS 2005

(PTY) LTD

t/a ENGINE & HEAVY DUTY COMPONENTS

HEAD OFFICE JOHANNESBURG

Tel: +27 (0)11 870 5000
 Fax to Mail: 086 676 6628
 Cnr Hubert & Marshall Streets,
 Marshalltown, Johannesburg 2001
 PO Box 6541 Johannesburg, 2000,
 South Africa
 ehd@ehd.co.za

BLOEMFONTEIN

Tel: +27 (0)51 430 5404
 17 Krause Street, Oranjesig
 PO Box 12471,
 Brandhof, 9324
 South Africa
 ehdbloem@ehd.co.za

CAPE TOWN

Tel: +27 (0)21 510 0567
 25 Bellray Business Park
 Ampere Street, Stikland Industrial
 Cape Town, 7530
 PO Box 1037, Milnerton, 7435
 South Africa
 ehdcapetown@ehd.co.za

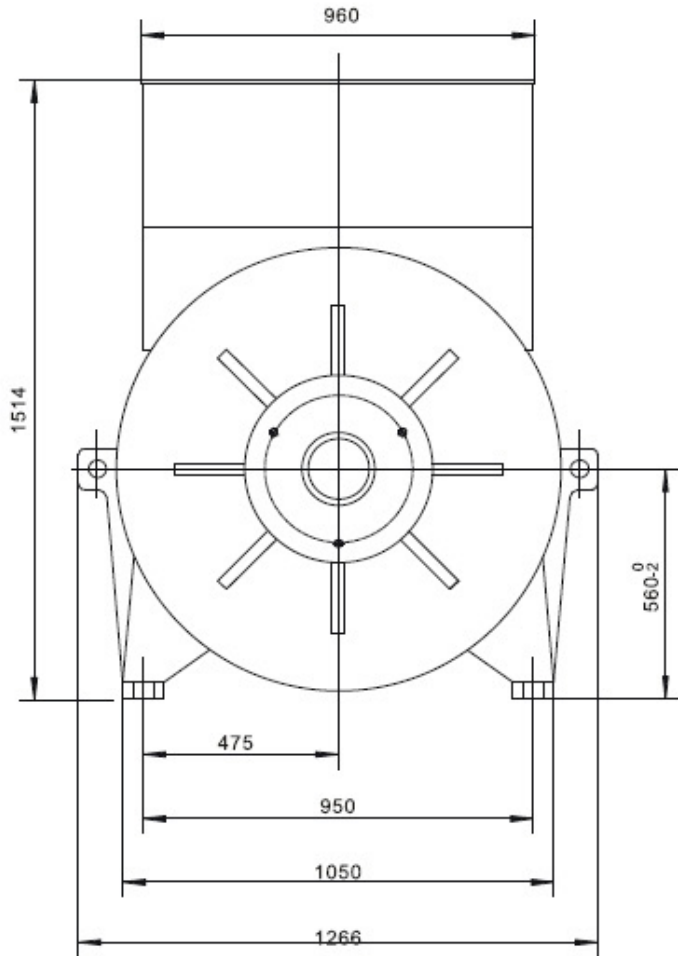
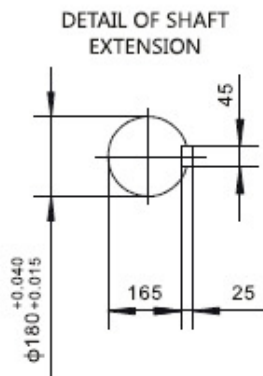
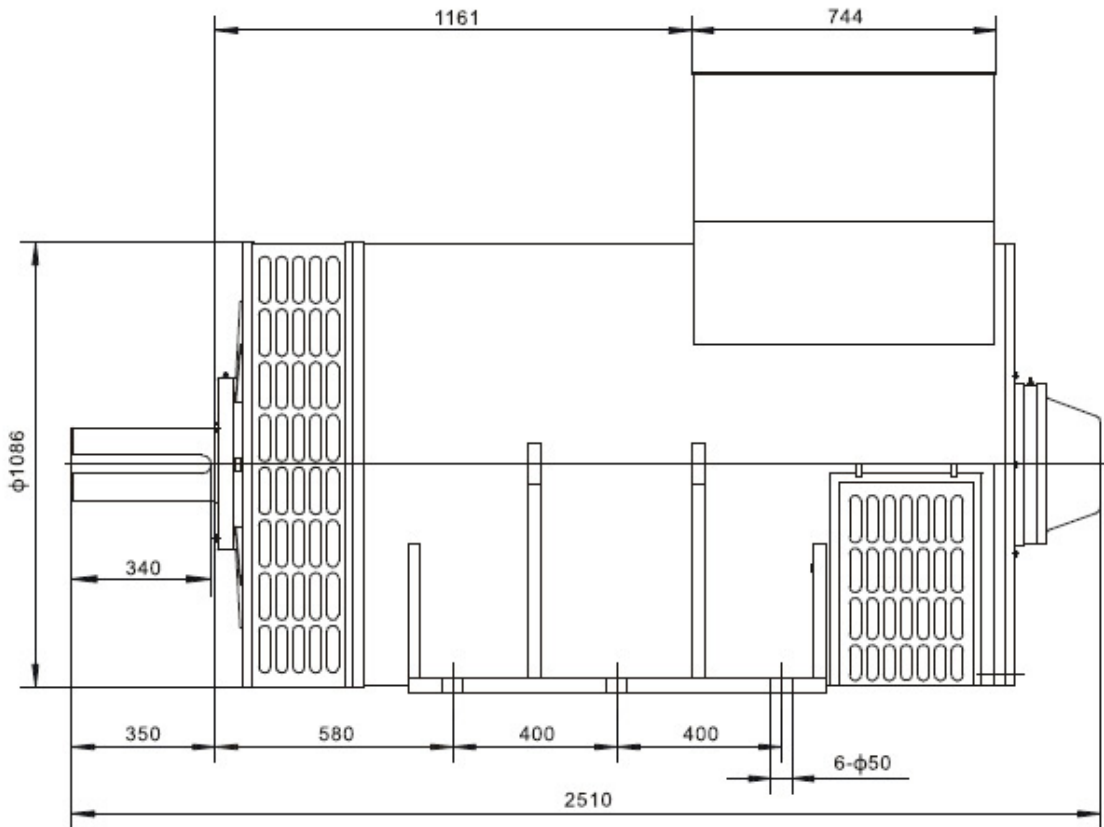
DURBAN

Tel: +27 (0)31 700 1160
 Unit 3, Hillmax
 31 Hillclimb Rd, Westmead 3610
 PO Box 1054 Nagina 3604,
 South Africa
 ehd.dbn@ehd.co.za

SLG564 ALTERNATOR



SLG564 Alternators																
Duty/Temp Rise	Cont./125K/40°C								Standby/150/40°C							
Phase																
Voltage	380		400		415		440		380		400		415		440	
	KVA	KW	KVA	KW	KVA	KW	KVA	KW	KVA	KW	KVA	KW	KVA	KW	KVA	KW
SLG564C	2312.5	1850	2312.5	1850	2312.5	1850	2262.5	1810	2405	1924	2405	1924	2405	1924	2352.5	1882
SLG564D	2625	2100	2625	2100	2625	2100	2562.5	2050	2730	2184	2730	2184	2730	2184	2662.5	2130
SLG564E	3125	2500	3125	2500	3125	2500	3050	2440	3250	2600	3250	2600	3250	2600	3168.8	2535
SLG564F	3500	2800	3500	2800	3500	2800	3412.5	2730	3640	2912	3640	2912	3640	2912	3675	2940
SLG564G	3750	3000	3750	3000	3750	3000	3650	2920	3900	3120	3900	3120	3900	3120	3793.8	3035
SLG564H(480V)	3400KVA				2720KW				3532.5KVA				2826KW			



Proud Member of:

